



FIXED OSCILLATING FIRE MONITOR

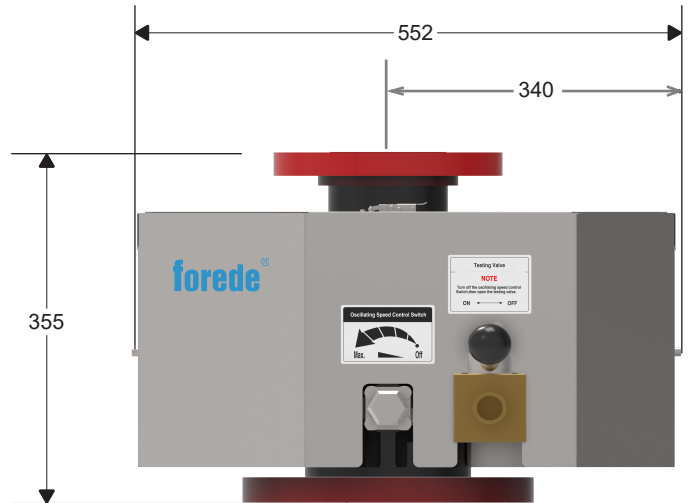
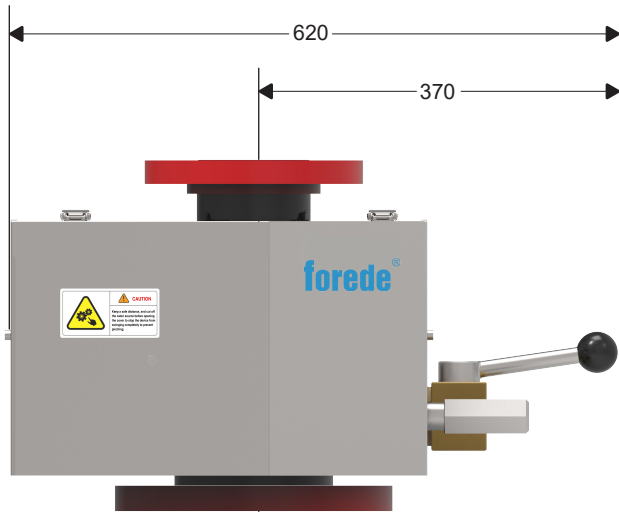
OSC-100-FRD



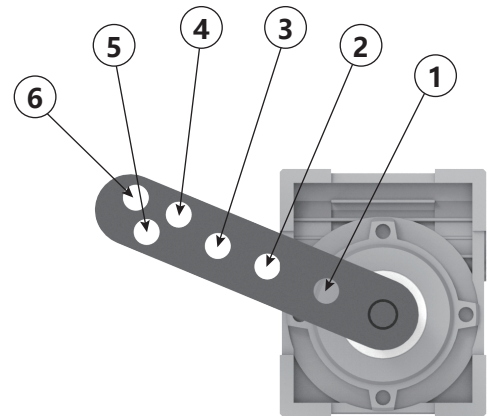
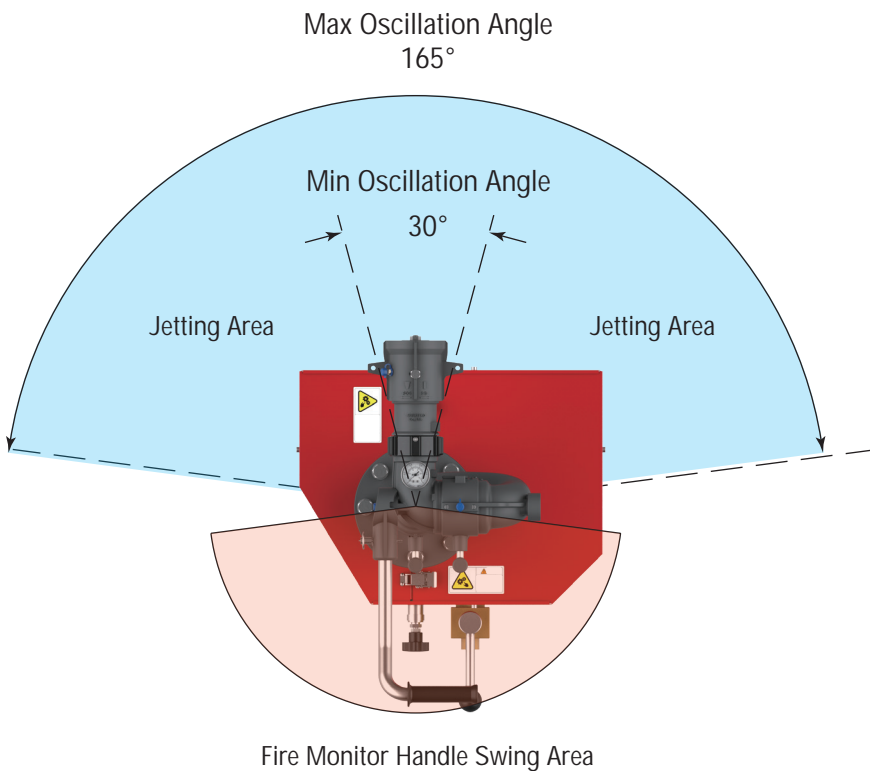
SPECIFICATION

MODEL	OSC100 -FRD
Min.W.P	2.8 Bar
Max.W.P	14 Bar
Min. FLOW RATE	600LPM
Max. FLOW RATE	4800LPM
OSCILLATING ANGLE	30 °、60 °、90 °、120 °、140 °、165 °
OSCILLATING SPEED	3 R O U N D /MIN
INLET/OUTLET SIZE	DN100 FLANGE (GB/T 9112~9124-2010 ; PN16)
SURFACE	ORIGINAL SS/RED/YELLOW
BODY MATERIAL	ALUMINUM ALLOY
WEIGHT	38.5KG
INSTALLATION	MOUNTED

OVERROLL SIZE



WORKING ANGLE



NO.	Max. Oscillating Angle
1	30°
2	60°
3	90°
4	120°
5	140°
6	165°